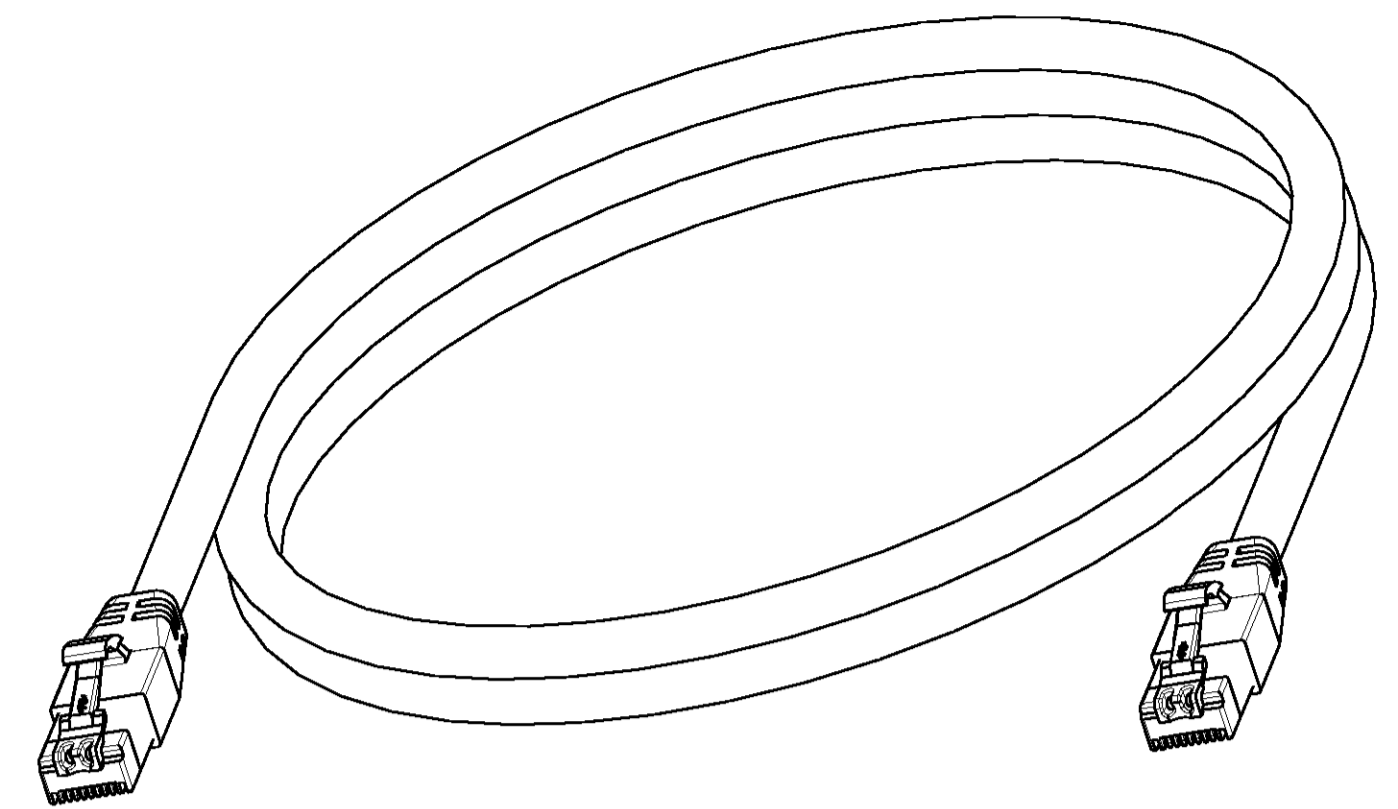
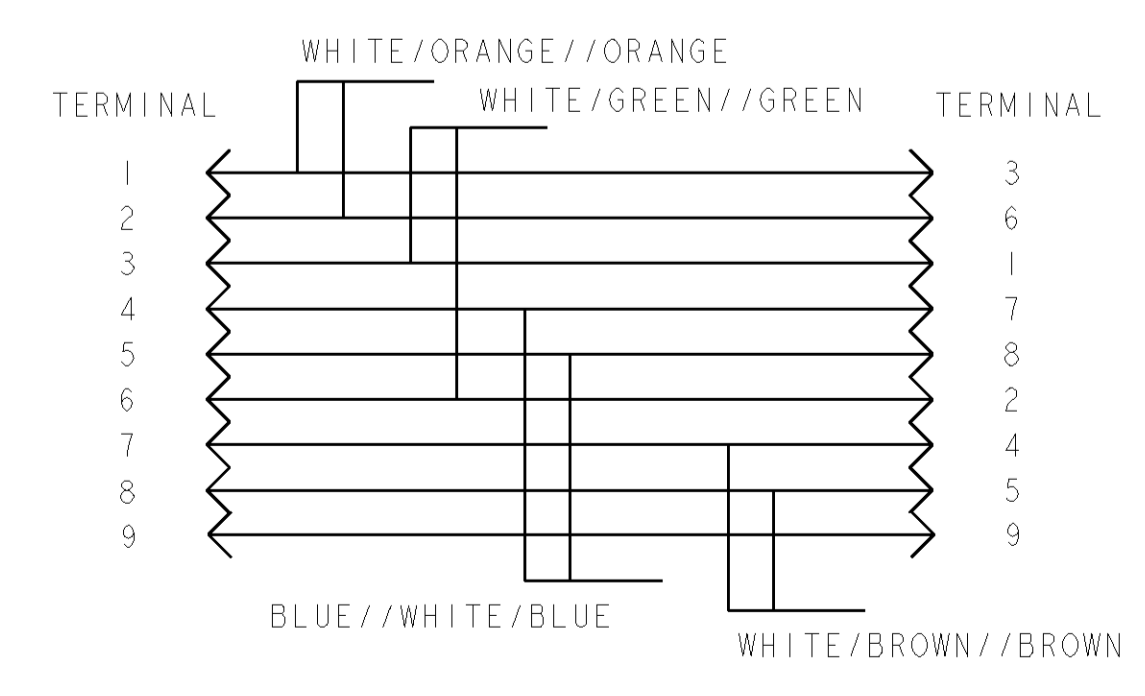
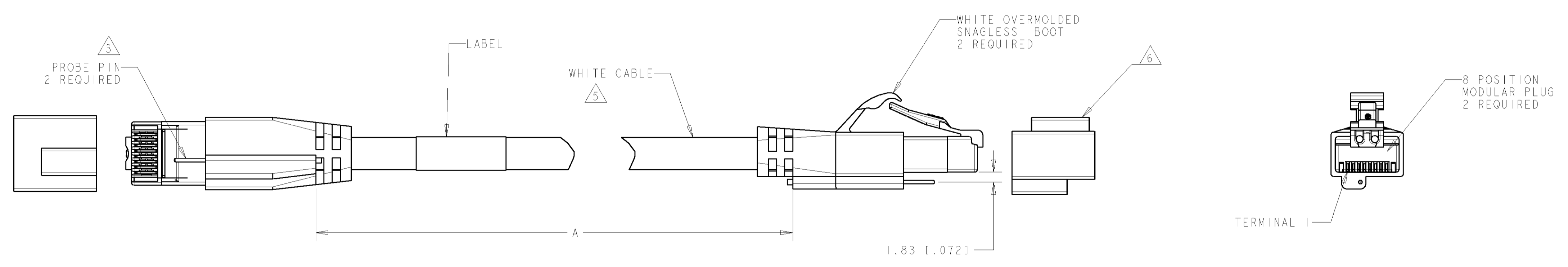


LOC	DIST	REVISIONS					
		P	LTR	DESCRIPTION	DATE	DWN	APVD
HM	00	A		RLSD - NPR NSD04-059	29JUN04	GG	MD
		B		REV: EC 0B60-0118-04	28DEC2004	GG	MD



- ① CABLE ASSEMBLY SHALL BE WIRED PER WIRING DIAGRAM.
- 2. FINAL ASSEMBLY SHALL BE 568B COMPLIANT.
- ③ PROBE PINS ARE CONNECTED BY 9TH WIRE IN CABLE.
- ④ DIMENSIONS ARE MAXIMUM.
- ⑤ CABLE OUTSIDE DIAMETER IS 6.7 MM NOMINAL AND FOR REFERENCE ONLY.
- ⑥ PROTECTIVE CAPS TO BE REMOVED PRIOR TO MATING WITH MODULAR JACK, SHIPPED WITH CAPS INSTALLED.



① WIRING DIAGRAM CROSSOVER

25	7874.0 [310.00]	2-1435953-5
16	5130.8 [202.00]	1-1435953-6
14	4521.2 [178.00]	1-1435953-4
10	3251.2 [128.00]	1-1435953-0
9	2895.6 [114.00]	1435953-9
7	2286.0 [90.00]	1435953-7
5	1676.4 [66.00]	1435953-5
4	1371.6 [54.00]	1435953-4
3	1066.8 [42.00]	1435953-3
2	762.0 [30.00]	1435953-2
FEET, REF		A ④ PART NO.

DIMENSIONS: MM [INCH]		TOLERANCES UNLESS OTHERWISE SPECIFIED: 0 PLC ± 1 PLC ± 2 PLC ± 3 PLC ± 4 PLC ± ANGLES ± FINISH		DWN G GARRETT 29JUN04 ENR M DELPHIAS 29JUN04 APVD M DELPHIAS 29JUN04		tyco Electronics Tyco Electronics Harrisburg, Pa., 17105-3608	
MATERIAL - FINISH -		WEIGHT - CUSTOMER DRAWING		NAME PATCH CORD ASSEMBLY, AMPTRAC, CATEGORY 6, NON-PLENUM, RED, W/BLACK BOOTS		SIZE CAGE CODE DRAWING NO RESTRICTED TO A 00779 C=1435953	
				SCALE 2:1 SHEET 1 OF 1 REV B			